

Thrust pads

for grub screws DIN 6332, tommy screws DIN 6304 / DIN 6306

SPECIFICATION

Types

- Type **A**: Thrust pad surface plain, without plastic cap
- Type **P**: Thrust pad surface with prism, without plastic cap
- Type **K**: Thrust pad surface plain, with plastic cap

Steel
blackened

Snap ring
Spring steel wire

Plastic cap (Polyacetal POM)

- natural colour
- temperature resistant up to 100 °C



INFORMATION

Thrust pads GN 6311.1 are used in conjunction with grub screws (grub screws DIN 6332 (see page 912), tommy screws DIN 6304 (see page 407) and DIN 6306 (see page 409) to transmit clamping force. They align themselves on uneven and non-parallel surfaces and thus prevent the rotating force being transmitted to the workpiece.

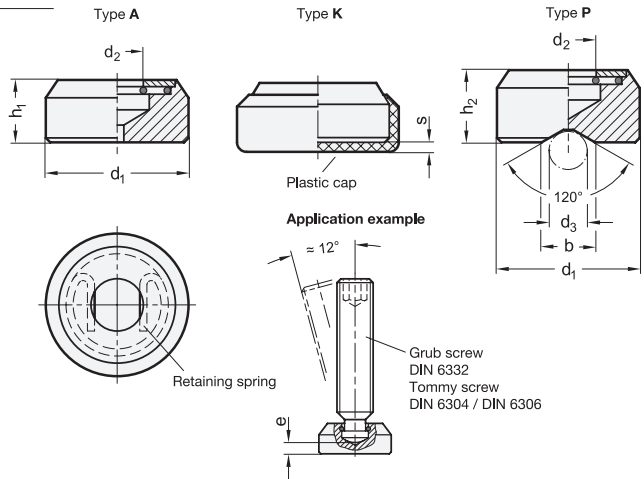
The plastic cap prevents damage to delicate workpieces.

The unique shape of the non-removable retaining ring permits easy insertion and removal of grub screws into or from the thrust pad.

Thrust pads GN 6311.1 can be used in conjunction with DIN 6332 (see page 912) grub screws as levelling pad.

TECHNICAL INFORMATION

- Plastic characteristics (see page A2)



GN 6311.1

Description	d1	b	d2 +0.2	d3 min.	d3 max.	e ≈	h1	h2	s	Grub screw DIN 6332	⚖
GN 6311.1-16-A	16	10	6.3	7.5	20	2.2	8	-	1.5	M 8	11
GN 6311.1-20-A	20	12	9.2	7.5	24	2.6	10	-	1.5	M 10 M 12	18
GN 6311.1-25-A	25	16	9.2	7.5	32	2.9	11	-	1.5	M 10 M 12	34
GN 6311.1-32-A	32	22	12.5	7.5	44	4.5	14	-	1.5	M 16	70
GN 6311.1-16-P	16	10	6.3	7.5	20	5.3	-	11	1.5	M 8	13
GN 6311.1-20-P	20	12	9.2	7.5	24	5.6	-	13	1.5	M 10 M 12	24
GN 6311.1-25-P	25	16	9.2	7.5	32	6.9	-	15	1.5	M 10 M 12	43
GN 6311.1-32-P	32	22	12.5	7.5	44	9.2	-	18	1.5	M 16	80
GN 6311.1-16-K	16	10	6.3	7.5	20	-	8	-	1.5	M 8	12
GN 6311.1-20-K	20	12	9.2	7.5	24	-	10	-	1.5	M 10 M 12	22
GN 6311.1-25-K	25	16	9.2	7.5	32	-	11	-	1.5	M 10 M 12	35
GN 6311.1-32-K	32	22	12.5	7.5	44	-	14	-	1.5	M 16	74

